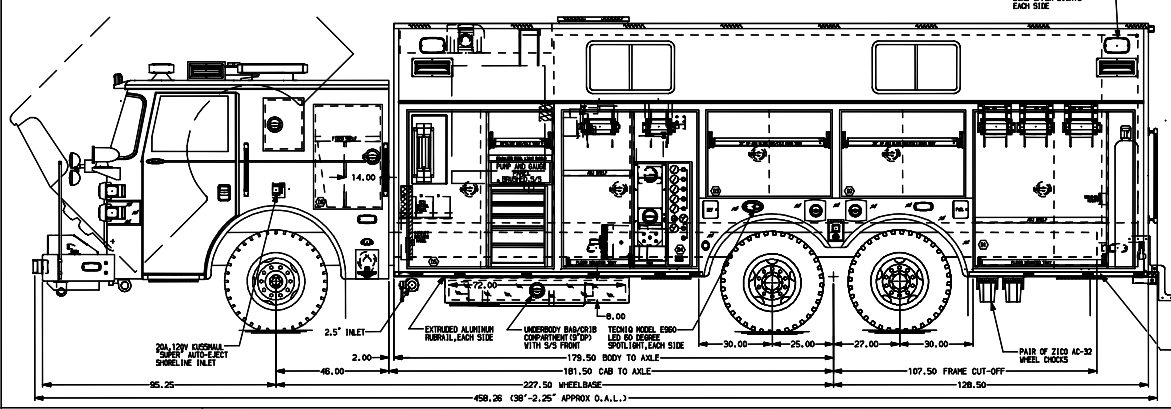
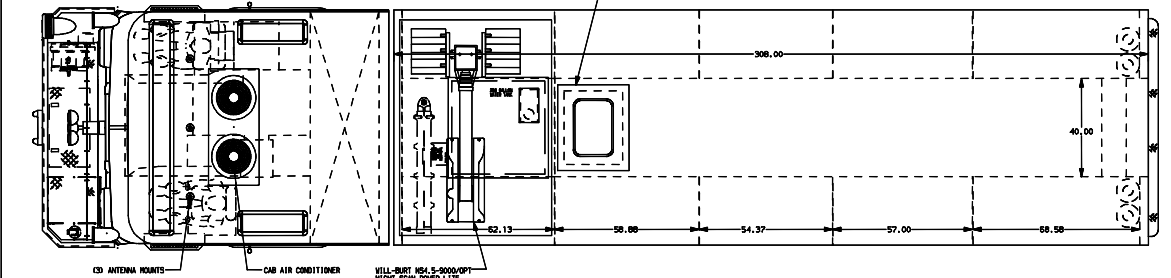
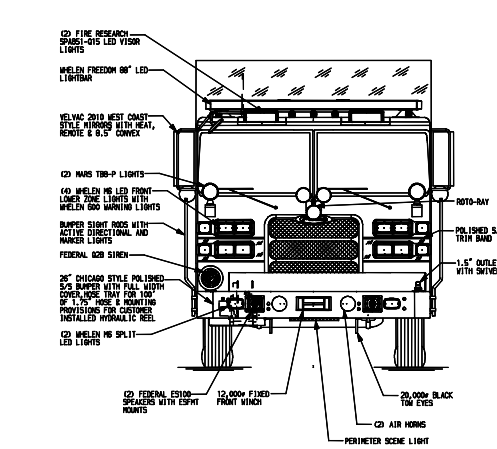
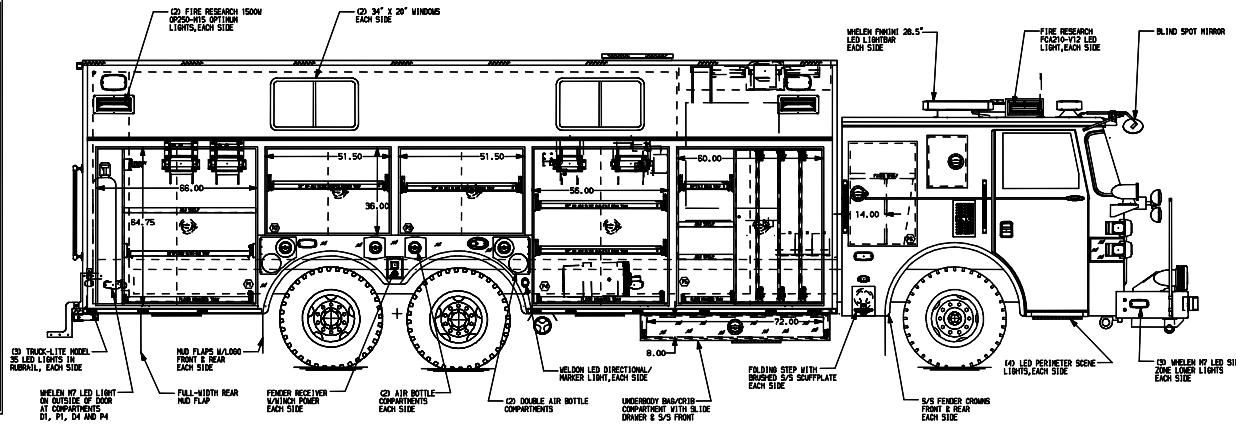
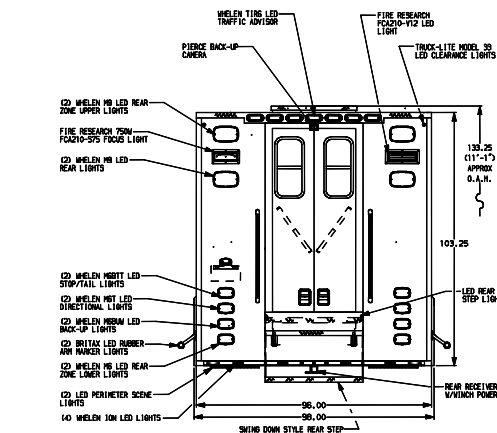


- PASSENGER'S SIDE COMPARTMENTS CONTAIN THE FOLLOWING:**
- COMPARTMENT P1 CONTAINS:
 - (1) 22" ADJ SLIDE
 - (1) 22" UP FLOOR MOUNTED TRAY
 - (1) VERTICAL COMPARTMENT DIVIDER
 - (1) 200, 120/240V T.L. RECEPTACLE
 - (1) 200 AMP AIR STORAGE BOTTLE
 - (1) MOUNTING PROVISIONS FOR 2 CUSTOMER INSTALLED HYDRANTIC REEL
 - (1) 22" UP ADJ SLIDE OUT TRAY
 - COMPARTMENT P2 CONTAINS:
 - (1) 22" UP ADJ SLIDE OUT/ILT TRAY
 - COMPARTMENT P3 CONTAINS:
 - (1) 22" UP ADJ SLIDE OUT/ILT TRAY
 - COMPARTMENT P4 CONTAINS:
 - (1) 22" UP ADJ SLIDE OUT/ILT TRAY
 - (1) 22" UP FLOOR MOUNTED TRAY
 - (1) ELECTRICAL CAB REEL WITH 200' OF 10/4 BLACK CORD
 - (1) LOW PRESSURE AIR REEL 1/150" OF HOSE
 - COMPARTMENT P5 CONTAINS:
 - (1) 22" UP ADJ SLIDE
 - (1) 22" UP FLOOR MOUNTED TRAY
 - (1) VERTICAL COMPARTMENT DIVIDER
 - (1) 22" UP ADJ SLIDE OUT/ILT TRAY
 - COMPARTMENT P6 CONTAINS:
 - (1) FIXED TRANSVERSE SHELF
 - (1) TRANSVERSE VERTICAL DIVIDER



- DRIVER'S SIDE COMPARTMENTS CONTAIN THE FOLLOWING:**
- COMPARTMENT B1 CONTAINS:
 - (1) 22" UP ADJ SLIDE
 - (1) 22" UP FLOOR MOUNTED TRAY
 - (1) VERTICAL COMPARTMENT DIVIDER
 - (1) 200, 120/240V T.L. RECEPTACLE
 - (1) 200 AMP AIR STORAGE BOTTLE
 - (1) MOUNTING PROVISIONS FOR 3 CUSTOMER INSTALLED HYDRANTIC REELS
 - COMPARTMENT B2 CONTAINS:
 - (1) 22" UP ADJ SLIDE OUT/ILT TRAY
 - COMPARTMENT B3 CONTAINS:
 - (1) 22" UP ADJ SLIDE OUT/ILT TRAY
 - COMPARTMENT B4 CONTAINS:
 - (1) 22" UP ADJ SLIDE
 - (1) 22" UP FLOOR MOUNTED TRAY
 - (1) VERTICAL COMPARTMENT DIVIDER
 - (1) ELECTRICAL CAB REEL WITH 200' OF 10/4 BLACK CORD
 - (1) 2" ANCHORED 2-BOTTLE FULL ENCLOSURE
 - (1) 2" ANCHORED 2-BOTTLE FULL ENCLOSURE
 - (1) LOW PRESSURE AIR REEL 1/150" OF HOSE
 - COMPARTMENT B5 CONTAINS:
 - (1) 22" UP ADJ SLIDE
 - (1) 22" UP FLOOR MOUNTED TRAY
 - (1) VERTICAL COMPARTMENT DIVIDER
 - (1) 200, 120/240V T.L. RECEPTACLE
 - (1) 200 AMP AIR STORAGE BOTTLE
 - (1) MOUNTING PROVISIONS FOR 3 CUSTOMER INSTALLED HYDRANTIC REELS
 - COMPARTMENT B6 CONTAINS:
 - (1) FIXED TRANSVERSE SHELF
 - (1) TRANSVERSE VERTICAL DIVIDER



NOTE
DIMENSIONS SHOWN ARE APPROXIMATE AND ARE SUBJECT TO MINOR DEVIATIONS AS MAY OCCUR OR BE NECESSARY IN CONSTRUCTION.
MINOR DETAILS NOT SHOWN.

- NOTES:**
1. HILE CIP 250 GALLON PTO DRIVEN WATER PUMP.
 2. 2000 WATT 12V DC INVERTER LOCATED BETWEEN THE FRAME RAILS.
 3. 2000 WATT 12V DC INVERTER LOCATED BETWEEN THE FRAME RAILS.
 4. S/S SCUFFPLATES ON CAB DOOR JAMBS AND BOTTOM OF EXTERIOR CAB COMPARTMENT DOOR FRAMES.
 5. ADDITIONAL PIERCE LED LIGHT STRIP IN EACH BODY COMPARTMENT.
 6. 2" RIBBED LOCKS FOR LATCHES TO MATCH CAB DOORS.
 7. FLOOR OF CAB AND CREW CAB TO BE PIERCE RISER.
 8. BATTERY CHARGE INDICATOR LOCATED ON DRIVER'S SEAT.
 9. BATTERIES 3/4 FRONT BODY FRONT SHEET AND CORNERS AS WELL AS REAR CORNERS.
 10. BATTERY STORAGE COMPARTMENT LOCATED OVER THE FRAME RAILS IN FRONT OF BODY.
 11. PIERCE LED DUAL LIGHT STRIPS IN ALL EXTERIOR CAB AND BODY COMPARTMENTS.

NOTE: HOLE DIMENSIONS HAVE BEEN SHOWN IN HIDDEN LINES TO CLEARLY IDENTIFY THE EQUIPMENT IN EACH COMPARTMENT.

STAINLESS STEEL BODY
(SIDE ROLL & FRONTAL IMPACT PROTECTION)

CUSTOMER APPROVAL	
APPROVED BY:	
DATE:	
REV	DATE BY CH

Pierce MANUFACTURING INC.		JOB NO.	26033
		SCALE	1:24
		DATE	
TITLE	HEAVY DUTY RESCUE WALK-IN/NON-WALK-IN	DRAWN BY	DHE
FOR	MECHANICSVILLE VOLUNTEER FIRE DEPT.	ORDERED BY	AZU
	MECHANICSVILLE, MD	DATE	27JUL12
DWG NO.	26033AD-SH1	SHEET NO.	1 OF 2